

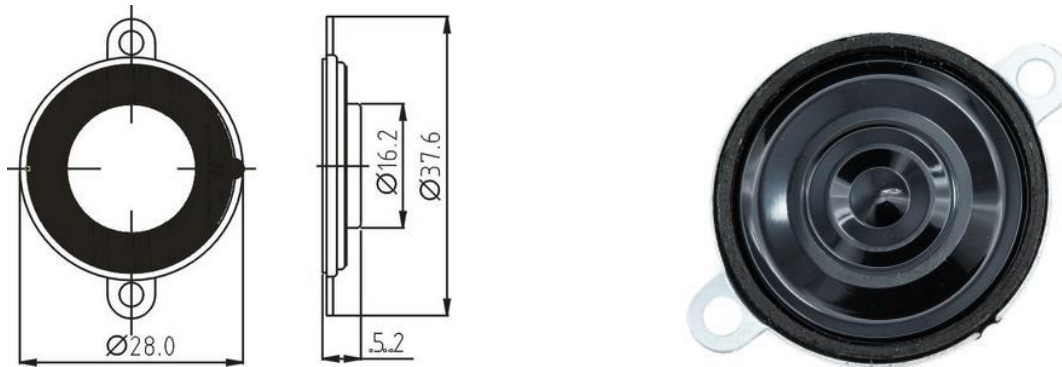
Lautsprecher LSF-28M/NT-B Art.-Nr.: 107139

Specification :

TYPE	UNIT	LSF-28M/NT-B
Impedance	Ω	8±15%
Power (Nominal)	W	2
Power (Maximum)	W	3
Resonant Frequency	Hz	620±20%
Sound Pressure Level	dB	92±3
Frequency Range	Hz	fo~12.000
Operating Temperature	°C	-20~+65
Storage Temperature	°C	-30~+70

Dimensions :

(Unit : mm)



Frequency Response :

